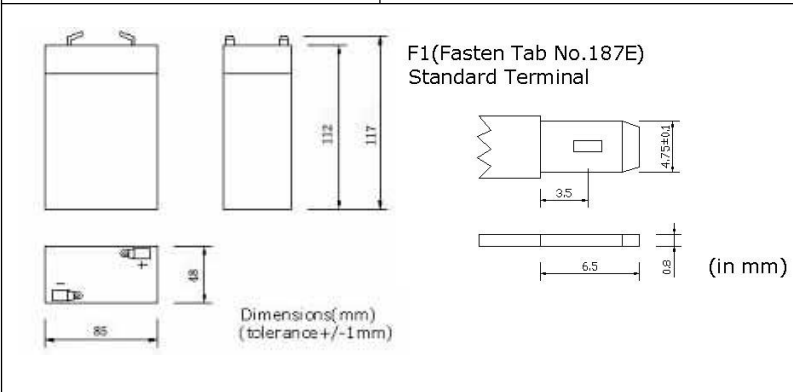
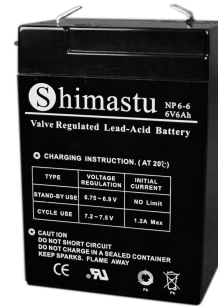


## PHYSICAL SPECIFICATION

Nominal Voltage		6V
Nominal Capacity (20HR)		6Ah
Dimension	Length	85±1mm (3.35 inches)
	Width	48±1mm (1.89 inches)
	Container Height	112±1mm (4.41 inches)
	Total Height	117±1mm (4.61 inches)
Weight		Approx. 1.06Kg ±3% ( 2.34lbs)
Standard Terminal		Fasten Tab No.187E(F1)



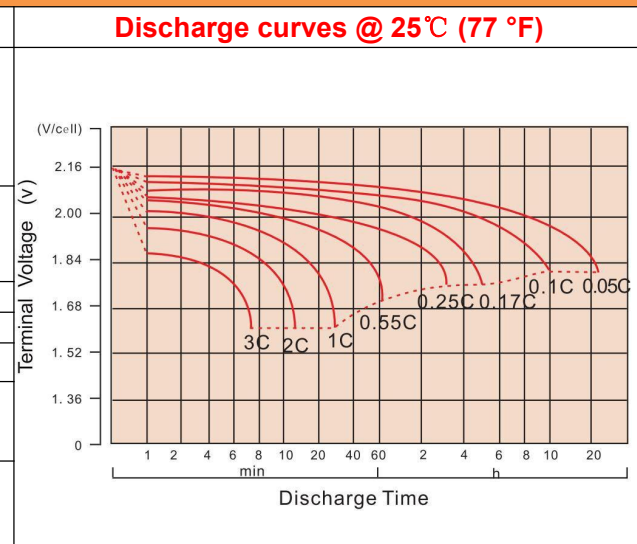
Shimastu NP series AGM VRLA Batteries have been developed as general purpose batteries, they're valve-regulated lead acid batteries with high quality Absorbed Glass Mat(AGM) separators & high purity raw materials, featured by perfectly good performance and reliable standby service life.

Features:

- 1.Non-spillable
- 2.Sealed and Maintenance-free Operation
- 3.High Quality and High Reliability
- 4.Less gassing,low Self-discharge
- 5.Low internal resistance
- 6.Long design life up to 6 years in float service at 25°C (77 °F)

## ELECTRICAL SPECIFICATION

Characteristics		
Capacity	20 hour rate (0.3A)	6.0Ah
	10 hour rate (0.564A)	5.6Ah
	5 hour rate (1.02A)	5.1Ah
	3 hour rate (1.5A)	4.5Ah
	1 hour rate (3.3A)	3.3Ah
Capacity affected by temperature	40°C (104 °F)	102%
	25°C (77 °F)	100%
	0°C (32 °F)	85%
Max Discharge Current	60A(5 Sec)	
Short Circuit Current	320A	
Internal Resistance	Full charged battery (25°C, 77 °F) 25mΩ	
Constant Voltage Charge	Cycle	Initial Charging Current less than 1.8A Voltage 7.20~7.50V at 25°C (77 °F) Temperature Coefficient -15mV/°C
	Standby	No limit on Initial Charging Current Voltage 6.75~6.90V at 25°C (77 °F) Temperature Coefficient -10mV/°C



### CONSTANT CURRENT DISCHARGE RATING A@25°C

F.V/TIME	5MIN	10MIN	15MIN	30MIN	1HR	3HR	5HR	10HR	20HR
1.60V	22.80	16.13	11.660	6.699	3.690	1.699	1.135	0.592	0.313
1.65V	21.24	15.28	11.15	6.433	3.566	1.650	1.107	0.585	0.308
1.70V	19.17	14.06	10.44	6.259	3.432	1.600	1.077	0.579	0.303
1.75V	17.16	12.81	9.722	5.877	3.300	1.550	1.048	0.570	0.300
1.80V	15.09	11.60	8.981	5.619	3.180	1.500	1.020	0.564	0.296

### CONSTANT POWER DISCHARGE RATING WATT PER CELL@25°C

F.V/TIME	5MIN	10MIN	15MIN	30MIN	1HR	3HR	5HR	10HR	20HR
1.60V	37.80	27.41	20.39	12.17	6.935	3.245	2.187	1.164	0.617
1.65V	35.61	26.49	19.78	11.81	6.740	3.164	2.142	1.153	0.607
1.70V	32.87	24.81	18.80	11.60	6.526	3.083	2.093	1.141	0.599
1.75V	30.09	23.02	17.76	11.01	6.313	2.999	2.042	1.125	0.593
1.80V	27.03	21.20	16.63	10.63	6.119	2.913	1.993	1.113	0.586

### Cycle service life



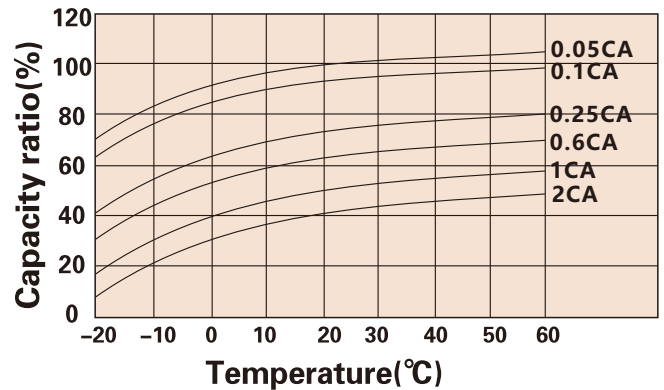
### Trickle(or float) service life



### Storage time(months)



### Temperature and discharge capacity



### Charging characteristic



Storage Temperature	Supplementary Charge Interval	Charge Method
≤20°C	Every 12 months	Less or 24 hours with a constant voltage of 2.3V/cell
20-30°C	Every 8 months	12-18 hours with a constant voltage of 2.45V/cell
≥30°C	Storage to be avoided	8-12 hours with a constant current of 0.05CA

## APPLICATIONS

#### Standby Usage:

- UPS
- Emergency Lights
- Alarm Systems
- Telecommunication Systems

#### Cyclic Usage:

- Medical Equipments
- Electric Instruments
- Toys
- Camcorder and Solar Systems

#### Motive Usage:

- Golf Cars
- Wheelchairs
- Lawnmowers
- Motorcycle

(Note) All above information shall be changed without prior notice, Shimastu reserves the right to explain and update the latest information.